



Sustainability
through
Innovation

ENER  **AFRICA**
PART OF THE BRIDGE CARBON GROUP

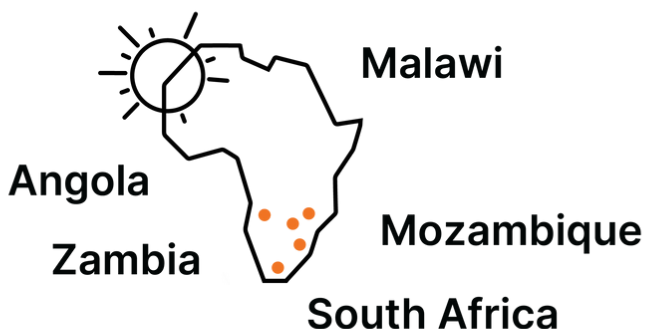
Our Vision

A sustainable future for Africa

Ener-G-Africa's core mission is to become the leading sustainable energy manufacturer and distribution company in Africa.



At Ener-G-Africa, we are committed to developing and delivering sustainable energy products including solar photovoltaic products, battery storage solutions, cookstoves and biomass fuel solutions to rural, peri-urban and urban markets across sub-Saharan Africa. We are currently distributing products to twelve countries across the continent, with manufacturing and distribution capabilities in the following five countries.



South Africa:

- Electric and electronic engineering
- Research and development centre
- Solar panel and stove manufacturing
- Cookstove design lab



Malawi:

- Stove manufacturing
- Distribution hub with retail centres



Mozambique:

- Biomass fuel facility
- Distribution hub with retail centres



Angola:

- Distribution hub with retail facilities



Zambia:

- Distribution hub with retail facilities

Our Executives



Andre Moolman
Co-Founder and Chief
Executive Officer



Richard Bunderson
Co-Founder and Chief
Commercial Officer



Catherine Fonseca
Chief Logistics Officer



Charlie Leaper
Chief Production Officer



Werner Vlok
Chief Financial Officer

Visit our website www.ener-g-africa.com for full bios

Our Impact

EGA works to serve previously unserviceable markets to:



Reduce CO² emissions.



Diminish land degradation and deforestation.



Decrease household expenditure on firewood.



Improve health and well-being, especially of women and children.

60-80%

Reduction in firewood required

50-80%

Reduction in household expenditure on firewood

65%

Reduction in overall greenhouse gas emissions



We have 250 field coordinators that distribute and install our Rocket Stove in our countries.

Improving livelihoods

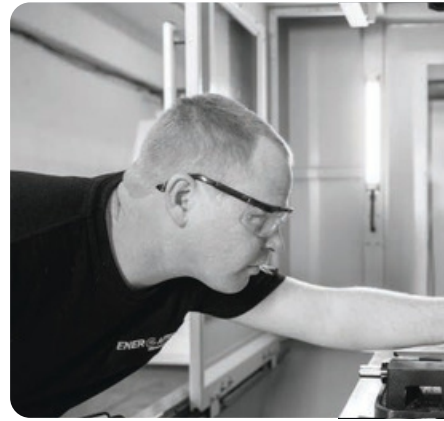
We believe we can transform communities through skills and knowledge transfer, empowering the individuals that work both with us and for us.

From our people in the manufacturing plants, those in managerial positions, field distribution co-ordinators, franchisees, right through to the women using our products, we take notice of every one of them. Improving lives through inclusion.



We have partnered with Power Africa to champion women's roles in the renewable energy value chain, boost South Africa's green job sector (a key focus in South Africa's Just Energy Transition Partnership), and improve the lives and health of women in Africa with cleaner ways of cooking.

www.ener-g-africa.com



Bespoke Design

Ener-G-Africa designs and manufactures premium solar panels, battery storage solutions, stoves, components and biomass fuels at our facilities in South Africa, Malawi and Mozambique.

Our team of qualified engineers have in-depth knowledge, ensuring high quality production, continuous development and improvement of sustainable energy solutions.



Made in Africa for Africa



World-Class
Design



Precision
Engineering



Efficient Planning
and Implementation



High-Volume
Production



6 million fuel efficient cookstoves
manufactured in the last three years.
Currently the largest manufacturer
and distributor of components for
rural cookstove programmes in Africa.



For locally-produced, best-in-class clean cooking and renewable energy products, Ener-G-Africa is the definitive choice.

For full product data sheets and prices visit www.ener-g-africa.com

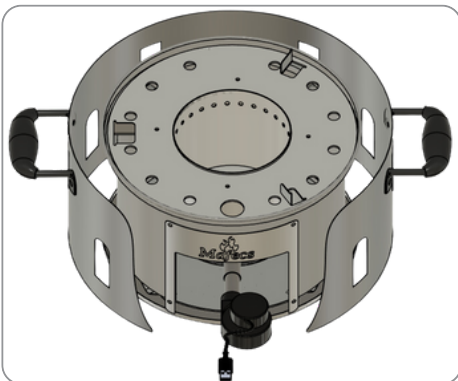


Whatever the fuel,
a perfect meal every time!



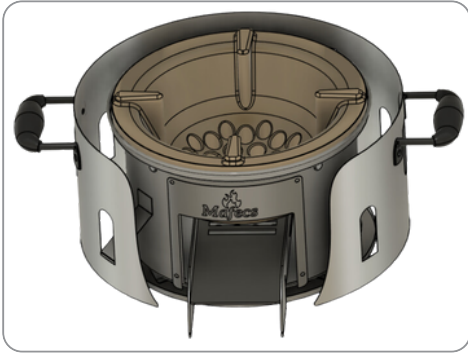
Elite

The MAFECS Elite is an impressive all-in-one solution for sustainable and efficient energy needs, combining versatile cooking options with practical electrical and lighting solutions. The MAFECS inserts enable cooking with either firewood, biomass pellets or sustainable charcoal. The kit also includes a 6-litre eCOPot, 2 x 1.8W LED lights, a power bank and a 20W solar panel (with 2 USB charging ports).



TLUD

The MAFECS TLUD is designed for use with biomass pellets. It is complete with a fan, powered by a power bank and/or the 20W solar panel, which are included.



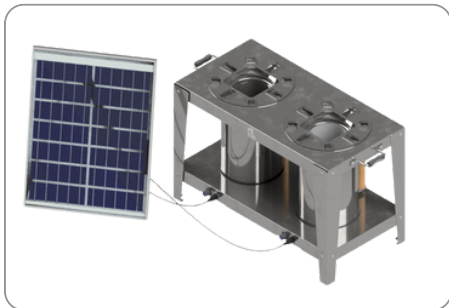
Classic

MAFECS Classic provides the same efficiency as the other products in the range but consists of the basic MAFECS with an insert for using sustainable charcoal and a stick shelf for use with firewood.



Cooks like gas with biomass

**Comes with 20W solar panel
and 10,000 mAh power bank**

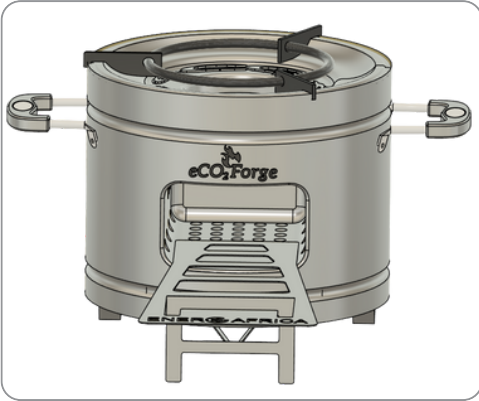


The Forced Air Biomass (FAB) stove is designed to revolutionise clean cooking by addressing both environmental and economic needs. Its built-in fan enhances combustion efficiency, ensuring a clean burn that minimises harmful smoke emissions while optimizing heat output. This innovation allows the stove to achieve a level of performance comparable to LPG stoves. Its ability to regulate the flame provides precise cooking and the solar panel or powerbank powering it, sets it apart in the clean-cooking market.

eCO₂Forge

Designed for peak performance

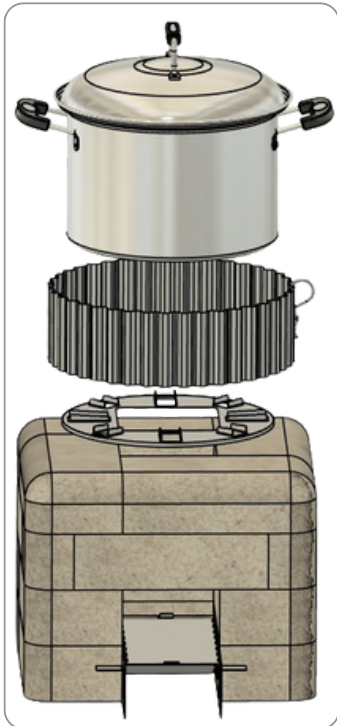
The eCOForge stove's heat-retention technology and rust-resistant design make it an exceptional choice for sustainable cooking, both indoors and outdoors. Compatible with firewood, its unique geopolymer insulation offers safer handling and efficient fuel use, aligning well with environmentally conscious cooking practices; reducing fuel consumption and ensuring consistent heat.



Rocket Stove

The Rocket stove is a robust, energy-efficient cooking solution designed for eco-conscious users who seek sustainable heat and fuel savings. This compact stove operates on minimal firewood while delivering powerful heat through its highly insulated rocket combustion chamber.

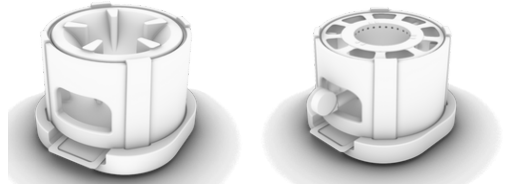
Built for durability, the Rocket stove reduces fuel consumption and smoke emissions, making it the excellent choice for households and communities focused on reducing their environmental impact while maintaining reliable cooking performance.





GeoRock

This innovative stove takes inspiration from the legendary Rocket stove but levels up with cutting-edge geopolymers technology. The result? A fusion of strength, efficiency, and sustainability - giving birth to GeoRock, a name that captures both the fiery power of the rocket and the rock-solid durability of its material.



Kudya

Rooted in the heart of East and Southern Africa, the name Kudya carries deep meaning - it means 'to eat' in Chichewa, Swahili, and Shona, symbolising nourishment, warmth, and the joy of shared meals. This wood-fired stove embodies that spirit, bringing families together with efficient, sustainable cooking. With every flame, Kudya fuels not just meals, but moments.



eCOpot
Cooking with a conscience

The revolutionary eCOpots are an energy-efficient, climate-smart cooking solution for environmentally conscious customers.

Available in three pot sizes (4, 6 and 8-litre) and a 2-litre frying pan. The optimised double-wall construction and triple-layer bottom reduces fuel use and improves cooking times.





Seal in the Goodness



Elegance Range

The high-quality, durable stainless-steel elegance range is carefully made to offer you a great cooking experience at an affordable price. This range includes three pot sizes (1.5, 2, and 9-litre) and a 3.5-litre frying pan, to meet all your cooking requirements.



Induction Range

The induction range provides quality and durability for all. Specifically designed for use on various stoves, SiZL helps you produce great meals whether you have an induction, electric, ceramic or gas hob. The base eliminates hot spots and creates even heat distribution across your products for faster, more efficient cooking.

Lead Acid Solar Battery

Our 12v 200Ah Lead Acid Solar Battery is engineered using Absorbent Glass Mat (AGM) technology in conjunction with high-performance plates and a specially formulated electrolyte. This design enhances the power output capacity, making these batteries ideal for various backup power system applications, especially for extensive use in situations that require an Uninterruptible Power Supply (UPS) and Emergency Lighting Systems.



12v 200Ah

Lithium Batteries

Our high-performance Lithium Batteries are designed to provide reliable and efficient power for various applications. They are engineered to deliver exceptional performance and longevity.



48v 100Ah



48v 50Ah



5kVA Solar Off-grid Inverter

- Pure sine wave inverter
- Built-in MPPT solar charge controller
- Selectable input voltage range for home appliances and personal computers
- Selectable charging current, based on applications
- Configurable AC/Solar input priority via LCD setting
- Compatible to AC mains or generator power
- Battery equalization for optimized battery performance and lifecycle
- Parallel operation with up to 9 units



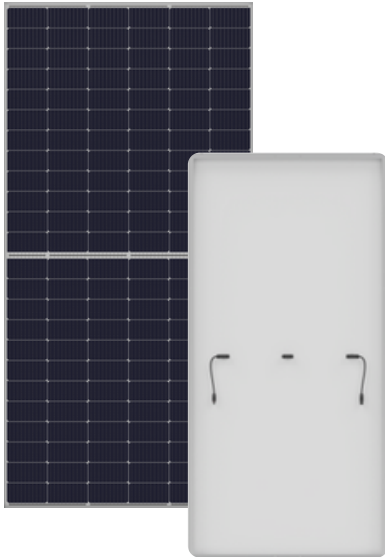
2kVA Hybrid Inverter

- Converts DC power into AC power
- Supports grid and solar battery charging
- Max output ~ 1600W
- Auto switch during load-shedding
- MPPT charging



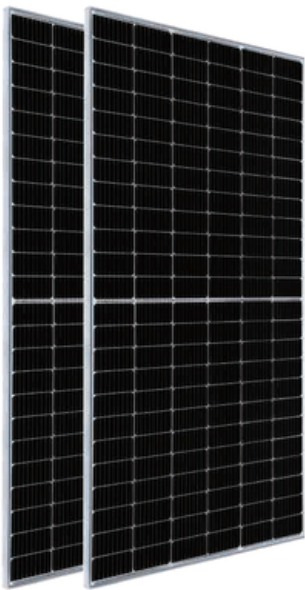
Plug & Play Solar System

A complete portable solar energy solution designed for convenience, reliability and independence. The system includes a 275W solar panel (locally manufactured in South Africa) that converts sunlight into DC electricity, generating 1.1-3.5kWh per day with a lifespan of up to 20 years. Power is stored in a durable 12v 200Ah LiFePO4 battery and managed by a 2kVA hybrid inverter that converts DC power to AC power, supports both grid and solar charging, provides up to 1600W output and automatically switches during load-shedding. With MMPPT charging, this system is ideal for keeping essentials running.



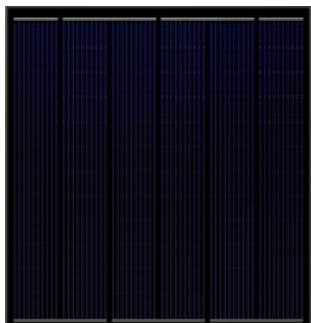
550W Solar Panel

The 144 half-cut cell solar panel is designed with long-term reliability in mind, well-known infield results. This panel can work well across a variety of applications in residential as well as commercial and industrial. This module was designed without compromise in its structural integrity.



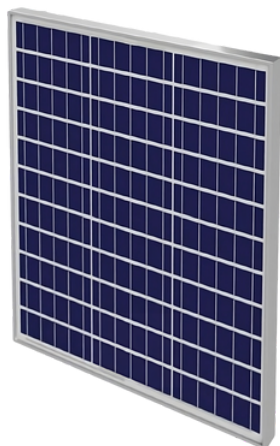
460W Solar Panel

- Higher output power
- Less shading and lower resistive loss
- Lower LCOE
- Monocrystalline silicon



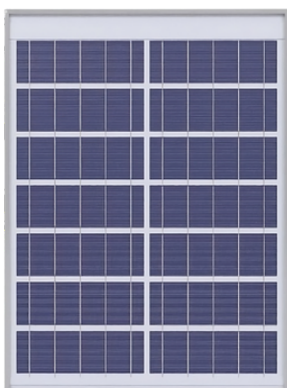
275W Solar Panel

The 72 half-cut cell solar panel is designed with the high performance and cost reduction aspects of the larger format panels in a much smaller package, increasing strength, easing handling and improving system flexibility.



45W Solar Panel

- Converts the African sun into electrical energy
- Durable glass and aluminium frame
- Adjustable rust-free aluminium stand
- The ideal off-grid solution for small home lighting and charging
- Solar charge controller includes 5V and 12V DC output options



20W Solar Panel

Our 20-Watt Solar Panel is manufactured at our TÜV Rheinland certified plant in Paarl. It is a high-quality affordable product, with dual USB ports enabling simultaneous charging and power output for USB devices.



LED Light

- Input Voltage: 5.2V
- Input Current: 34mA
- Nominal Power: 1.8W
- Colour Temperature: 6500K
- Material: ABS Plastic



10,000mAh Power Bank

Introducing our new power bank with two USB ports. It lets you charge two devices at the same time, quickly and efficiently, with a 2.1A output. This power bank works with our MAF ECS and FAB stoves, giving power to the fan units for smooth and uniform combustion of fuel. Its perfect for providing energy to appliances in remote areas, helping reduce overall costs.

Biomass Pellets



Made from compressed organic matter, biomass pellets provide a more affordable, environmentally friendly and cleaner fuel for cooking. Advantages of using biomass pellets:

- Carbon neutral energy source
- Reduces waste
- Cheaper than traditional fuels
- Renewable resource

ENER-G AFRICA

PART OF THE BRIDGE CARBON GROUP

Ener-G-Africa (EGA) helps to tackle the challenges of climate change and improve the lives of people in Africa through its research and development of quality sustainable energy products. EGA manufactures and distributes locally-made solar panels, biomass fuels and a range of biomass cooking stoves, including the Rocket Stove – an easy-to-assemble, energy-efficient rural cookstove.

Having distributed six million Rocket Stoves across the continent and established the first women-led solar panel plant in Paarl, Western Cape, EGA plans to set up an additional advanced biomass stove manufacturing facility, as well as expanding its solar plant.

EGA promotes access to clean and renewable energy for all, while protecting Africa's natural resources for future generations.

www.ener-g-africa.com

Angola +244 (0) 946 287 083

Malawi +265 (0) 999 987 424

Mozambique +258 (0) 846 649 866

South Africa +27 (0) 215 692 978

Zambia +260 (0) 96 092 2436